

# KIT DA BALCONE

## Cosa contiene

Il nostro Kit da balcone è pensato per consentire una **facile installazione**, quindi contiene tutto quello che ti serve per iniziare a **produrre energia**.



**4 Pannelli**



**Inverter**



**Cavi e supporti**



# KIT DABALCONE

## Specifiche

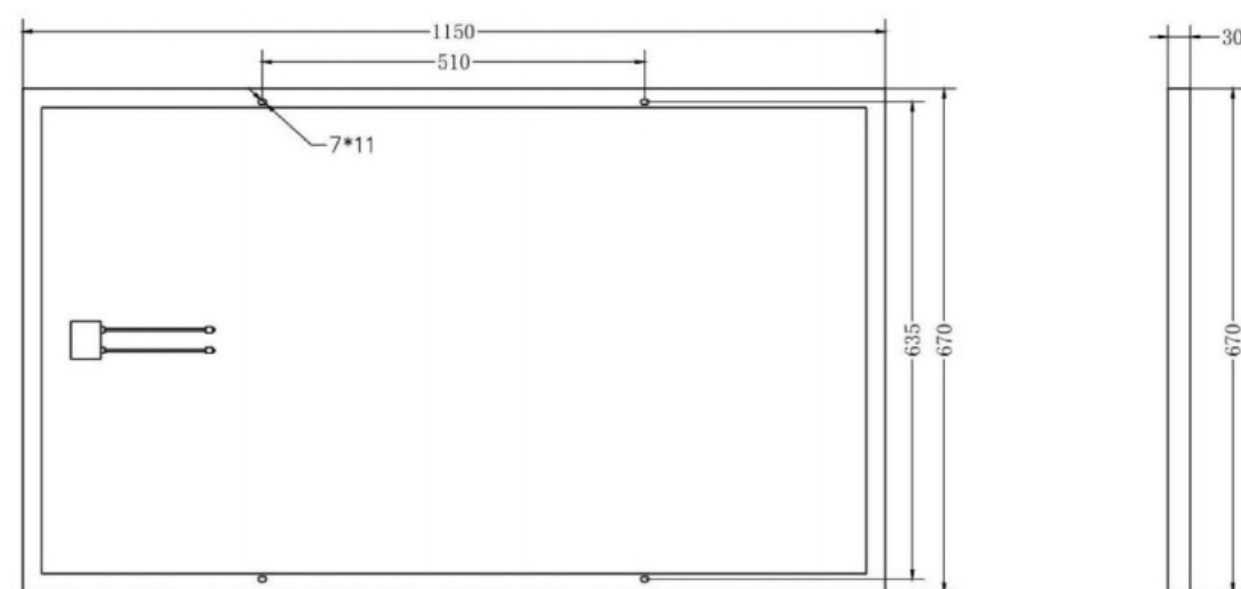


### Maggiore efficienza maggiore potenza

I pannelli MFI raggiungono un'efficienza del 22%. I pannelli convenzionali raggiungono il 15-17% di efficienza. I pannelli MFI sono tra i pannelli a più alta potenza disponibili.

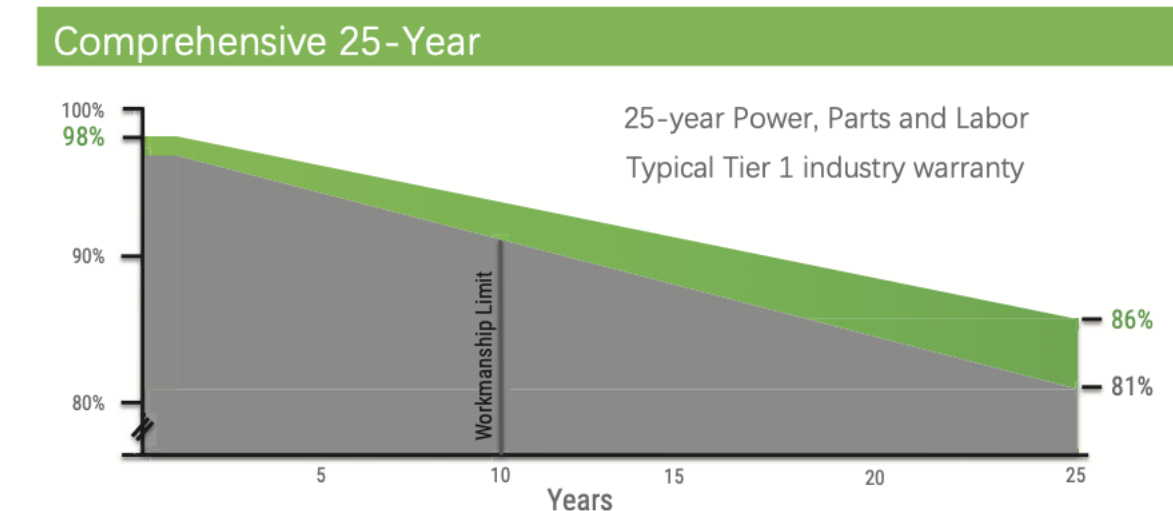
### Migliore tolleranza allo shading

Le sottostringhe sono interconnesse in parallelo, all'interno di ciascuno dei quattro quadranti del pannello, il che riduce drasticamente le perdite per ombreggiamento e aumenta la produzione di energia.



### Durata e affidabilità

Le interconnessioni senza saldature sono altamente affidabili e progettate per superare di gran lunga i 25 anni di durata dei pannelli.

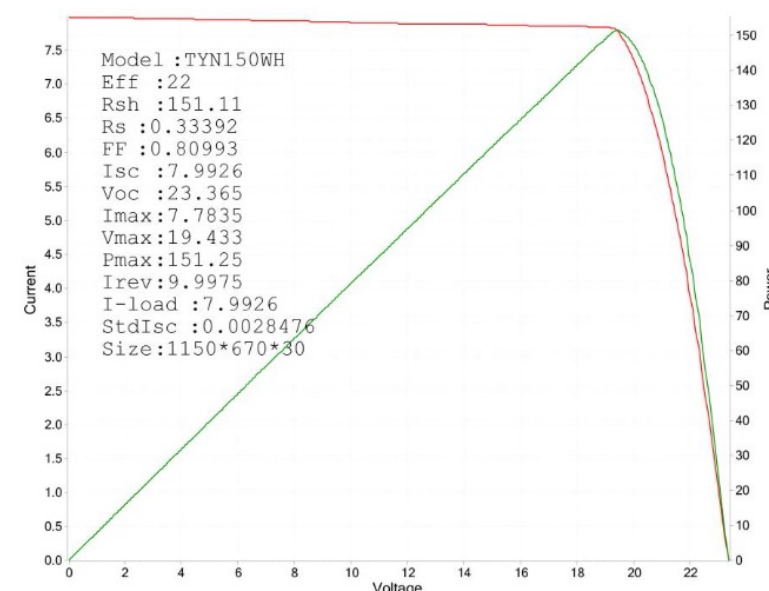


# KIT DABALCONE

## Specifiche



IV Curves vs. Irradiance (150W Panel)



### Performance at STC (1000W/m<sup>2</sup>, 25° C, AM 1.5)

Model number		XY-150M18V
Max Power (P <sub>max</sub> )	[W]	150
Efficiency	[%]	22
Open Circuit Voltage (V <sub>oc</sub> )	[V]	23.4
Short Circuit Current (I <sub>sc</sub> )	[A]	7.92
Max Power Voltage (V <sub>mp</sub> )	[V]	18
Max Power Current (I <sub>mp</sub> )	[A]	7.7
Power Tolerance	[%]	-0/+3

### Temperature Characteristics

NOCT	[°C]	5 +/-2
Temp. Coeff. of P <sub>max</sub>	[% / °C]	-0.39
Temp. Coeff. of V <sub>oc</sub>	[% / °C]	-0.29
Temp. Coeff. of I <sub>sc</sub>	[% / °C]	-0.04

### Design Parameters

Operating temperature	[°C]	-40 ~ +85
Max System Voltage	[V]	1000
Max Fuse Rating	[A]	15
Bypass Diodes	[#]	4

### Mechanical Characteristics

Cell Type	Monocrystalline Silicon
Dimensions (L x W x H)	1150mm x 670mm x 30mm
Weight	6 kg
Glass Type / Thickness	AR Coated, Tempered / 0.8mm
Frame Type	Anodized Aluminum
Cable Type / Length	12 AWG PV Wire (UL) / 1000mm
Connector Type	MC4 optional
Junction Box	IP67 / 4 diodes

\*Refer to SIY SOLAR Installation Manual for details

### Warranty

Warranty	25 year *
----------	-----------

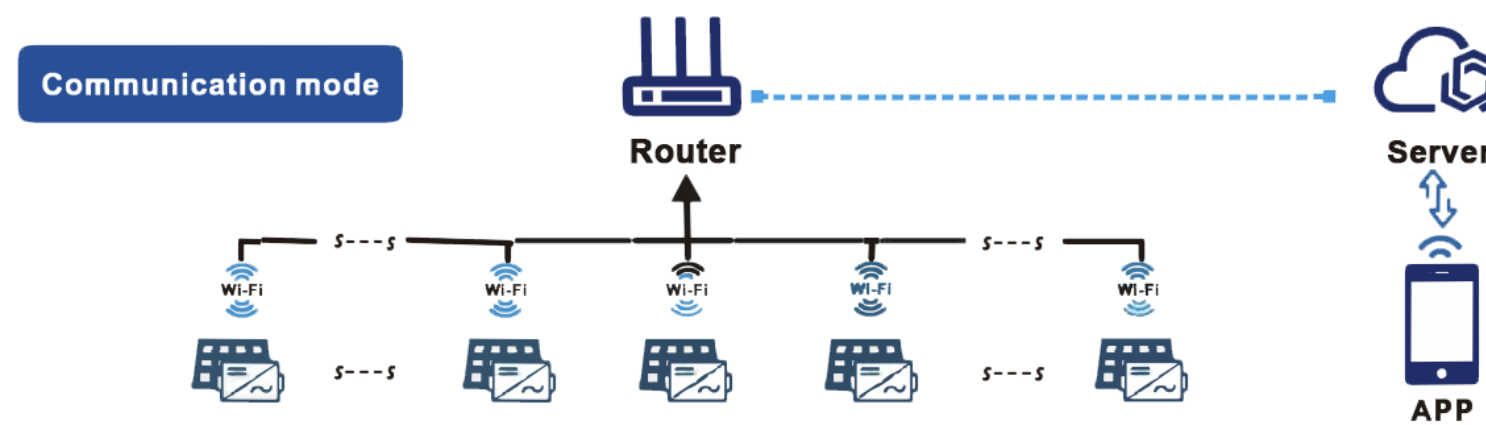
\* Warranty details at [www.siyolar.com](http://www.siyolar.com)

### Packaging

Stacking Method	Horizontal/Palletized
Panels/ Pallet	34
Pallet Dims (L x W x H)	1210mm x 1080mm x 670mm
Pallet Weight	350kg

# KIT DABALCONE

## Specifiche



- CO-2 induced environmental analysis
- Inverter temperature
- Daily and total energy generation in kWh
- Optional limitation of power output
- Actual DC input voltage, current and power
- Online switch for the inverter start stop
- Actual AC output voltage, current and power
- Historical (daily, weekly, monthly) power curve

Packing weight		
Specifications	Each ( Packing )	Box ( 5PCS )
weight	2.8KG	14KG
Size	342×240×115mm	440×380×260mm

model	WVC-600	
Recommend use panels	2*350Watt	
Output voltage mode	120/230V	
PV Open circuit voltage	30-54VOC	
Operating voltage range	22-60V	
Starting voltage range	22-60V	
short-circuit current	2*15A	
Maximum working current	2*12A	
Output parameters	@120V	@230V
Output peak power	600Watt	600Watt
Rated output power	580Watt	580Watt
Output current	5A	2.6A
AC voltage range	80-160VAC	180-280VAC
AC frequency range	48-51Hz/58-61Hz	48-51Hz/58-61Hz
Power factor	>95%	>95%
Number of branch connections.	6PCS ( Single )	12PCS ( Single )

Output efficiency	@120V	@230V
Static MPPT efficiency	99.5%	99.5%
Max output efficiency	95%	95%
Loss of power at night	<0.5W	<0.5W
Total current harmonics	<5%	<5%

Appearance and technical features	
Temperature range	-40°C to +65°C
Size ( L×W×H )	283mm×200mm×41.6mm
Net amount	1.56kg
Waterproof grade	Ip65 NEMA3R
Heat dissipation mode	Self-cooling
Communication mode	Wi-Fi
Power transmission mode	Reverse transmission, Load priority
monitoring system	APP
Electromagnetic Detection	EN61000-6-1:2007 EN6100-6-3:2007+A1:2011+AC:2012
Power Grid standard	EN50549-1, EN 50549-2, NBR 16149:2013, UL1741
Power grid detection	IEC/EN 62109-1, IEC/EN 62109-2, IEC 62116, IEEE 1547
Certificate	CE , Patented technology

Inverter

# KIT DABALCONE

## Specifiche



### Detailed



Exterior



ANTENNA



SCREW KIT



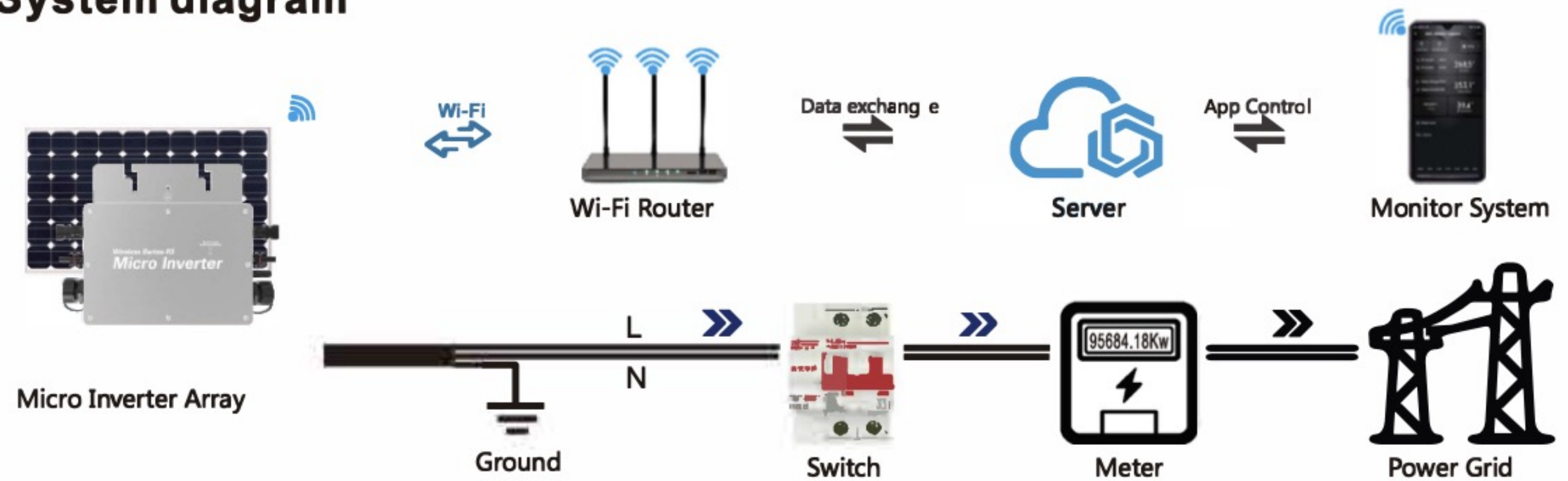
USER MANUAL



AC PLUG

Accessories

### System diagram



Inverter